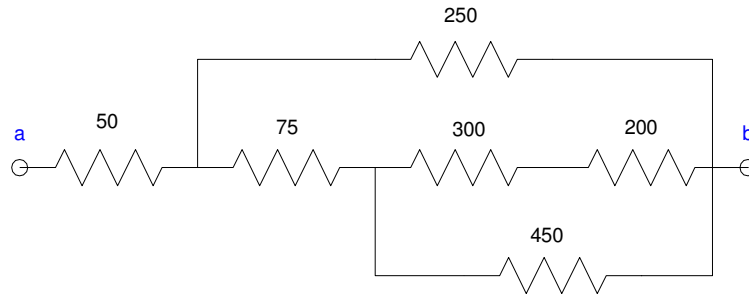


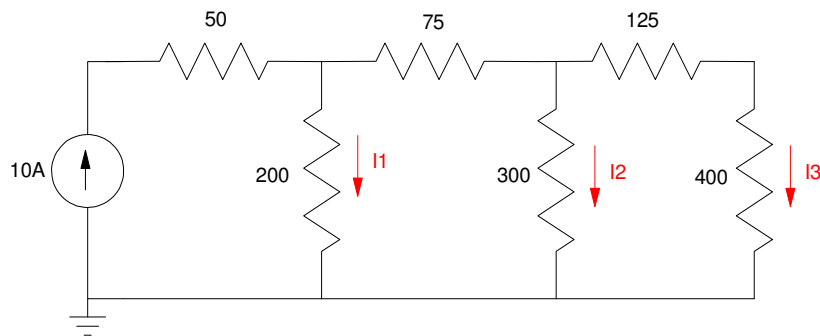
# ECE 476 - Homework #1

Python Programming - Due Wednesday, September 4th

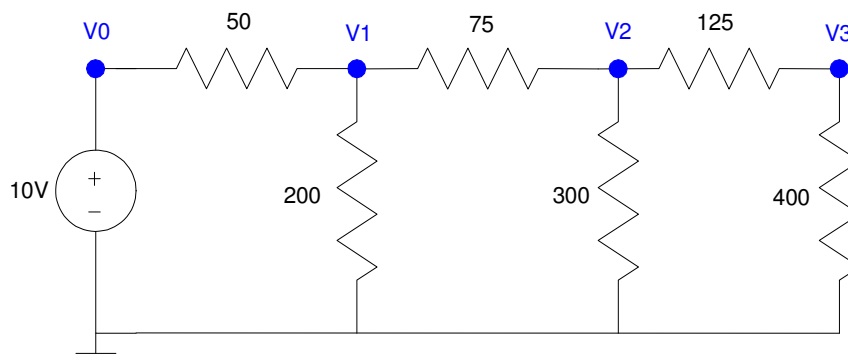
1) Use Thonny as a calculator (similar to the Matlab command window) to determine the resistance  $R_{ab}$



2) Use Thonny as a calculator to determine the current  $I_x$  using current division



3) Use Thonny as a calculator to determine the voltages  $\{V_1, V_2, V_3\}$



4) Use Thonny as a calculator to determine the impedance  $Z_{ab}$

