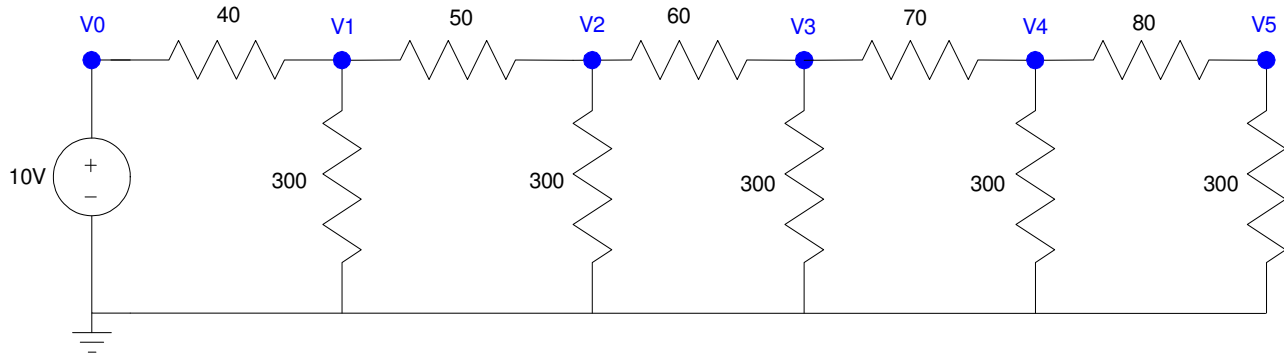


# ECE 111 - Homework #9

EE 206 Circuits I - Make-Up Homework Sets - Fall 2024

## Voltage Nodes

- 1) Use Voltage Nodes write  $N$  equations for  $N$  unknowns for the following circuit.
- 2) Solve for the node voltages in Matlab.
- 3) Check your answers in CircuitLab



## Current Loops

- 4) Use Current Loops to write  $N$  equations for  $N$  unknowns for the following circuit.
- 5) Solve for the currents in Matlab
- 6) Check your answers in CircuitLab.

