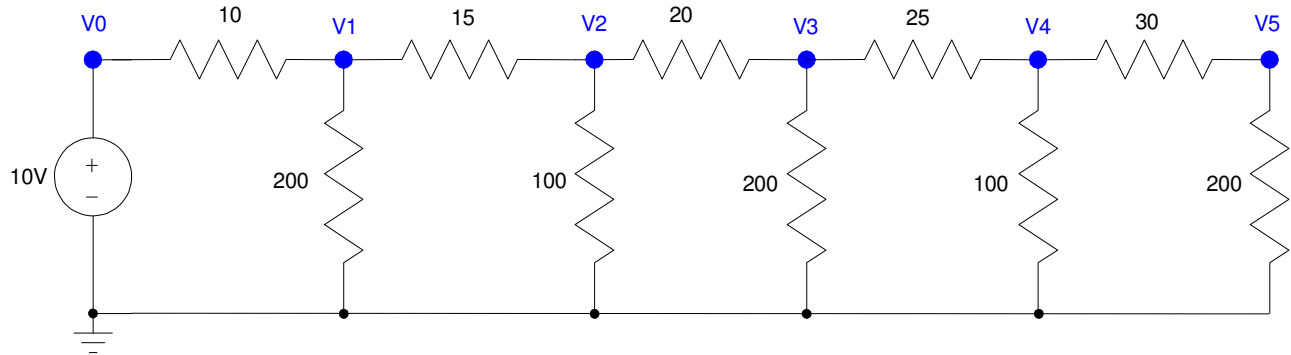


ECE 111 - Make-Up Homework #9

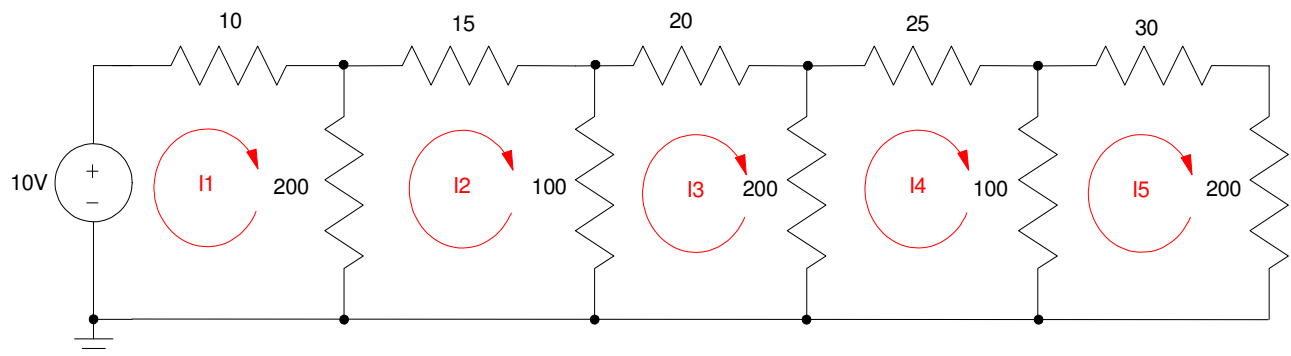
EE 206 Circuits I

Voltage Nodes



- 1) Use Voltage Nodes write N equations for N unknowns for the following circuit.
- 2) Solve for the node voltages in Matlab.
- 3) Check your answers in CircuitLab

Current Loops



- 4) Use Current Loops to write N equations for N unknowns for the following circuit.
- 5) Solve for the currents in Matlab
- 6) Check your answers in CircuitLab.