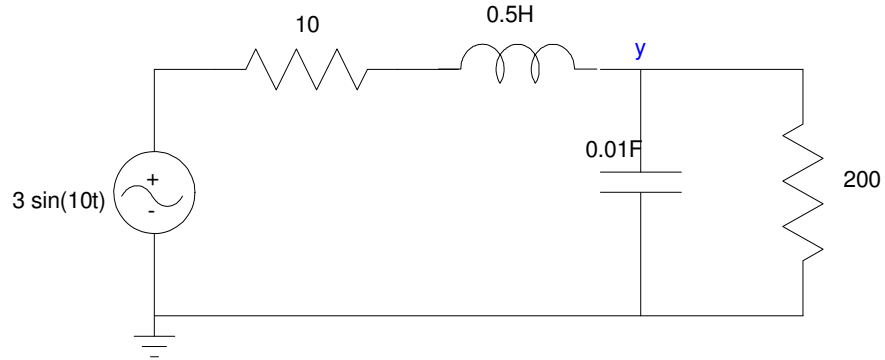


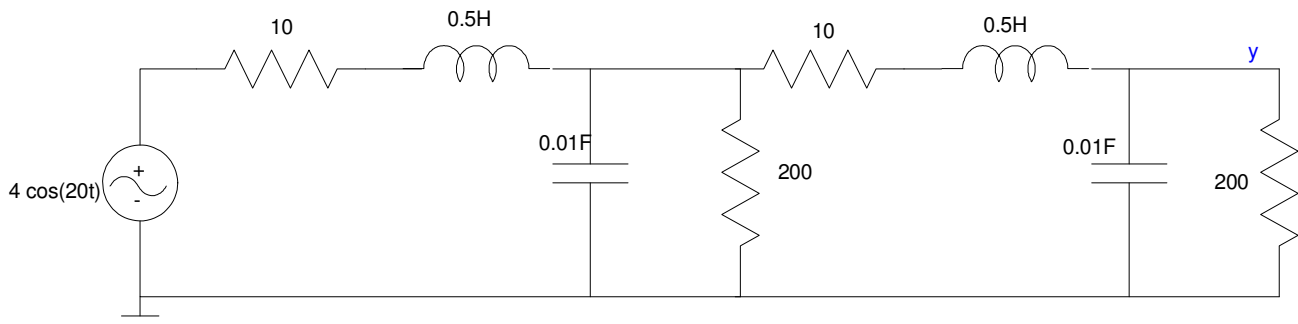
ECE 343 - Homework #2

Circuit Analysis with Phasors - Summer 2018

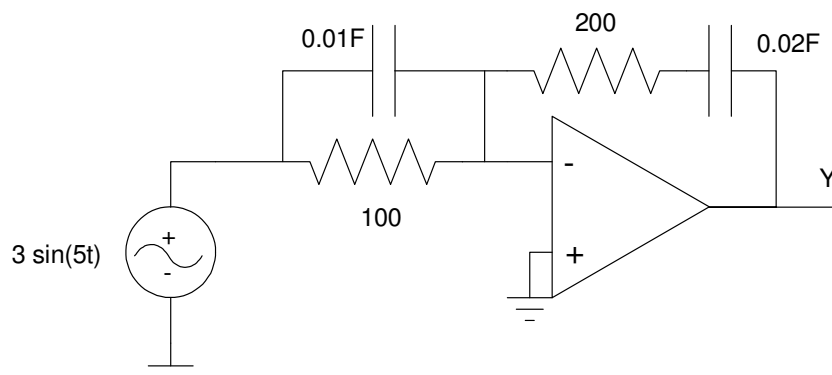
1) Use phasor analysis to determine $y(t)$ for the following circuit



2) Use phasor analysis to determine $y(t)$ for the following circuit



3) Use phasor analysis to determine $y(t)$



4) Use phasor analysis to find $v_1(t)$, $v_2(t)$, and $v_3(t)$

