
Transistor Amplifiers:

DC Analysis

ECE 321: Electronics II

Lecture #12:

Jake Glower

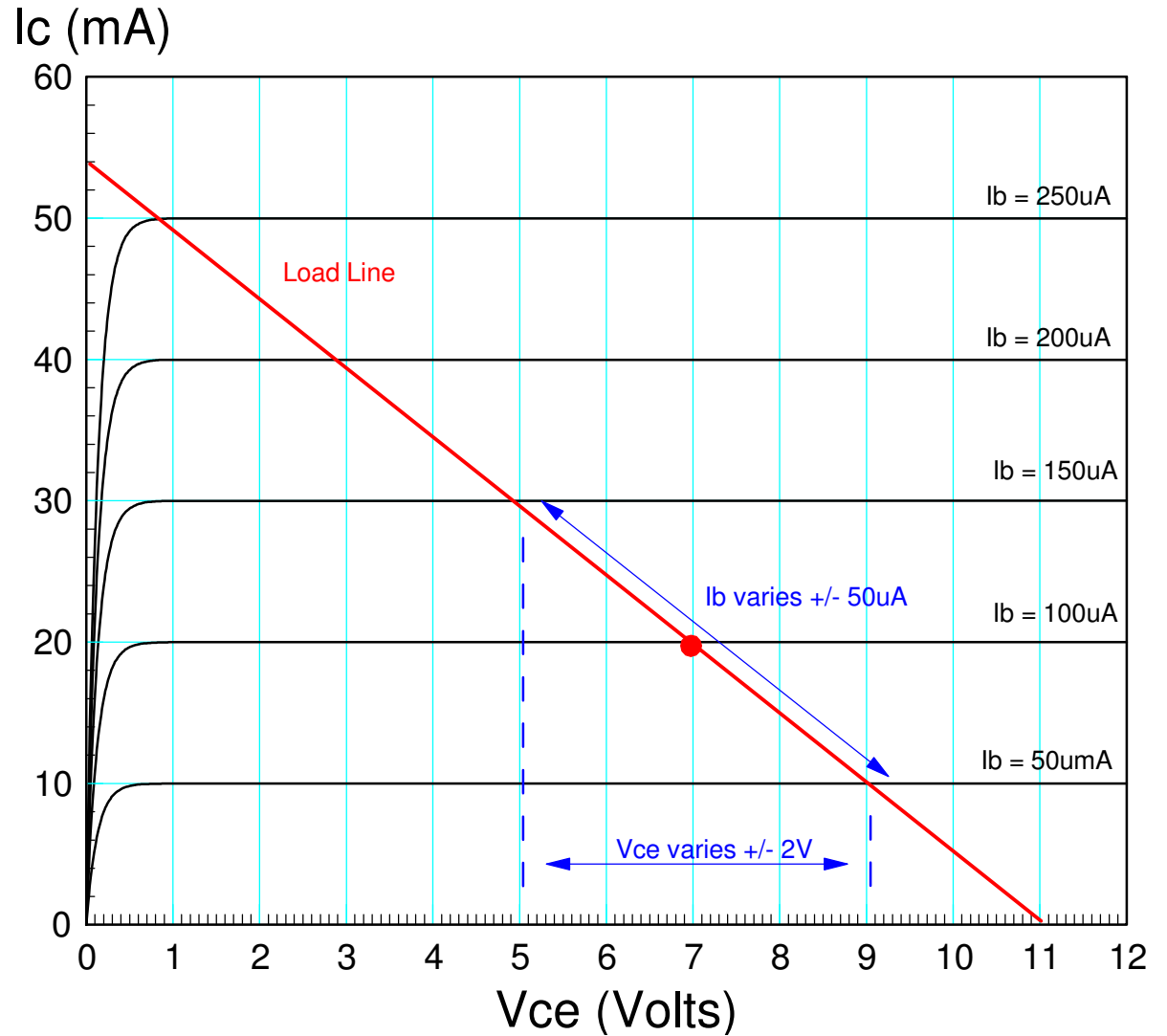
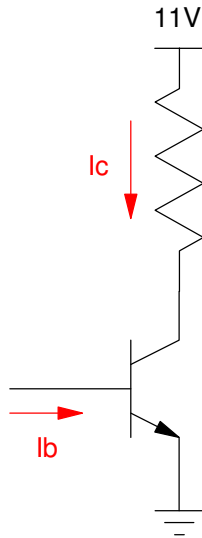
Please visit [Bison Academy](#) for corresponding lecture notes, homework sets, and solutions

Background:

Transistor + Resistor
gives a load-line

For +/- operation (AC)
bias in the active
region

Small change in I_b
creates large change
in V_{ce}



Transistor Amplifiers

Resistors

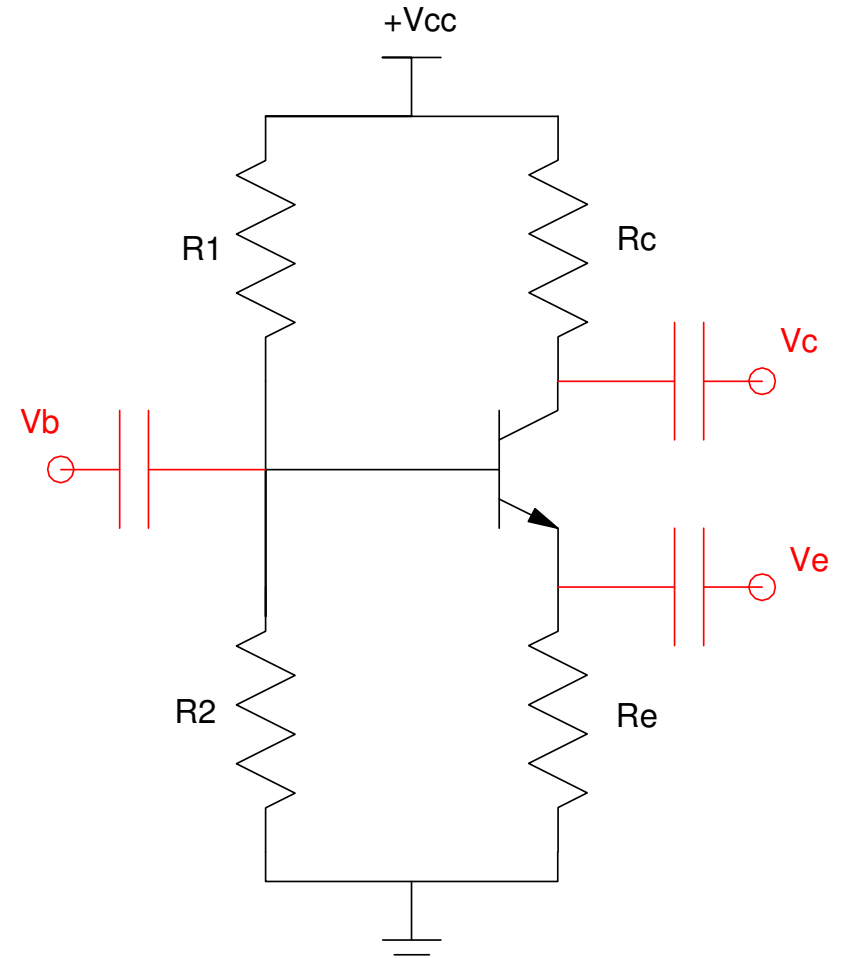
- R_c converts I_c to a voltage
- R_1 and R_2 bias in the active region
- R_e stabilizes the Q-point

Capacitors

- Isolate the circuit at DC

I/O

- Input
- Output
- Ground the third line



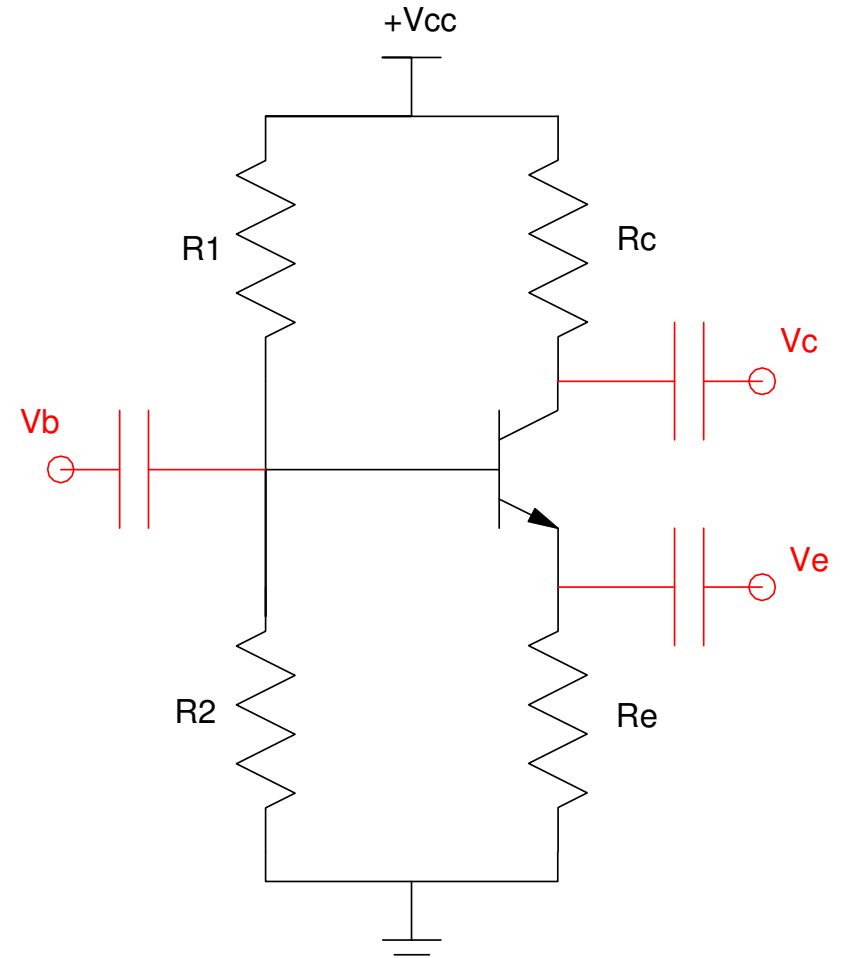
Procedure

DC Analysis (this lecture)

- Find R_1 , R_2 , and R_e to set the DC operating point

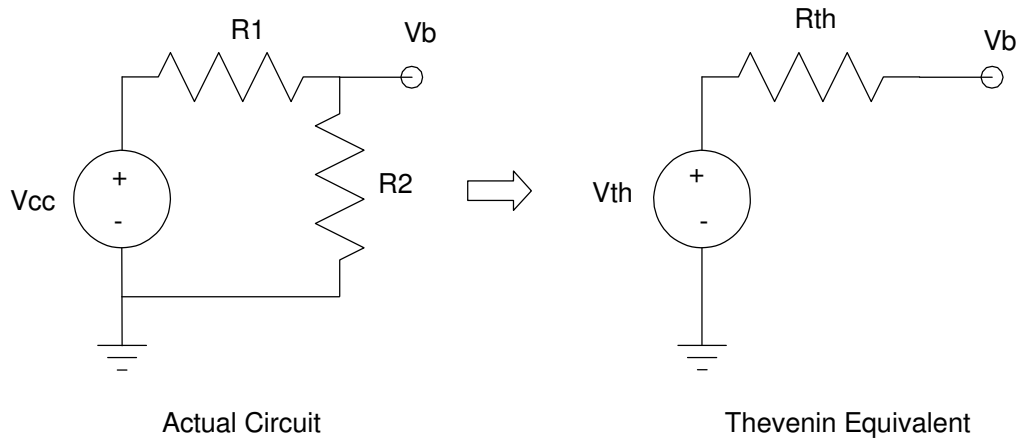
AC Analysis (coming soon)

- Apply a small signal to one C
- Model the AC behaviour
 - Common Emitter (emitter grounded)
 - Common Base (base grounded)
 - Common Collector (collector grounded)



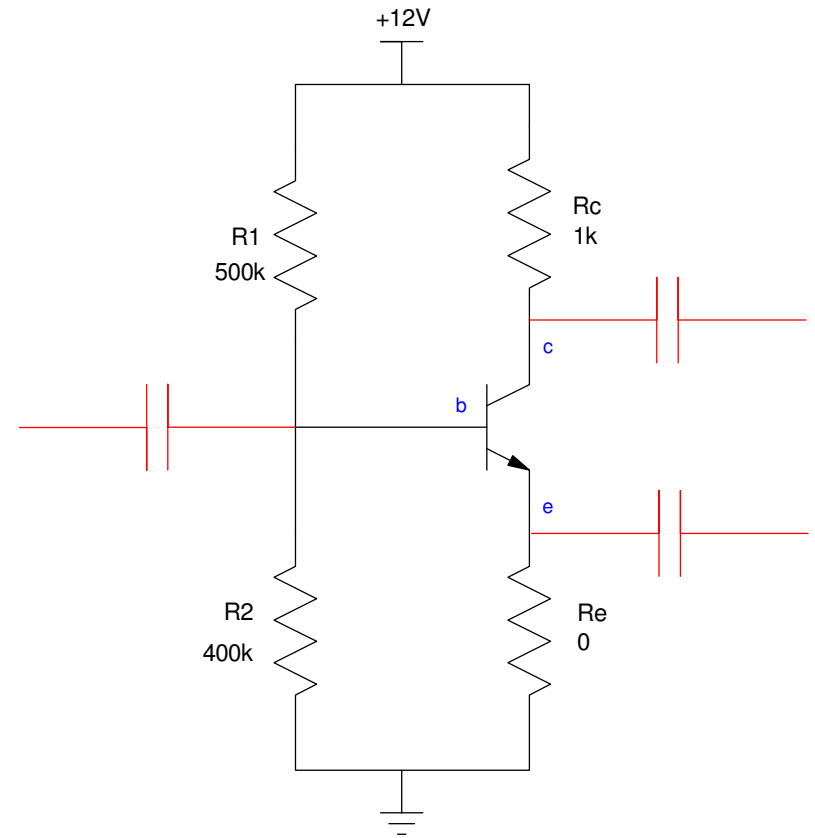
DC Analysis: ($R_e = 0$)

Replace R_1 and R_2 with their Thevenin equivalent



$$R_{th} = R_1 || R_2 = 222k$$

$$V_{th} = \left(\frac{R_2}{R_1 + R_2} \right) V_{cc} = 5.33V$$

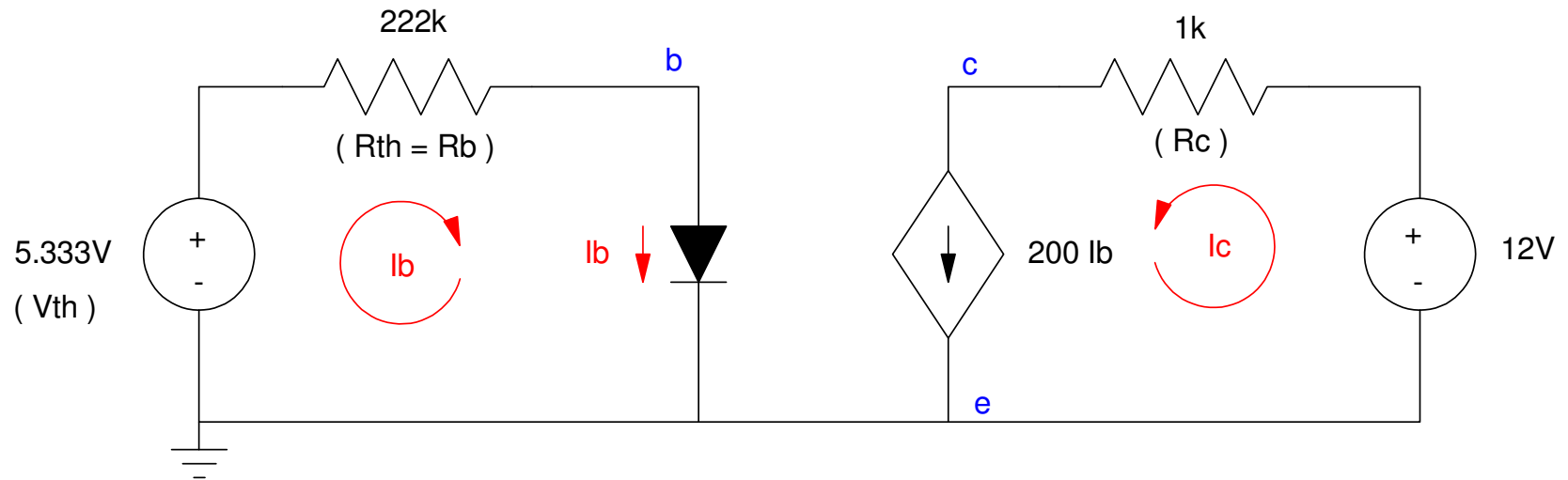


Redraw the circuit: Assume $R_e = 0$

$$I_b = \left(\frac{5.333 - 0.7}{222k} \right) = 20.85 \mu A$$

$$I_c = 200 I_b = 4.170 mA$$

$$V_{ce} = 12 - 1000 I_c = 7.83 V$$



DC Analysis: $R_e > 0$

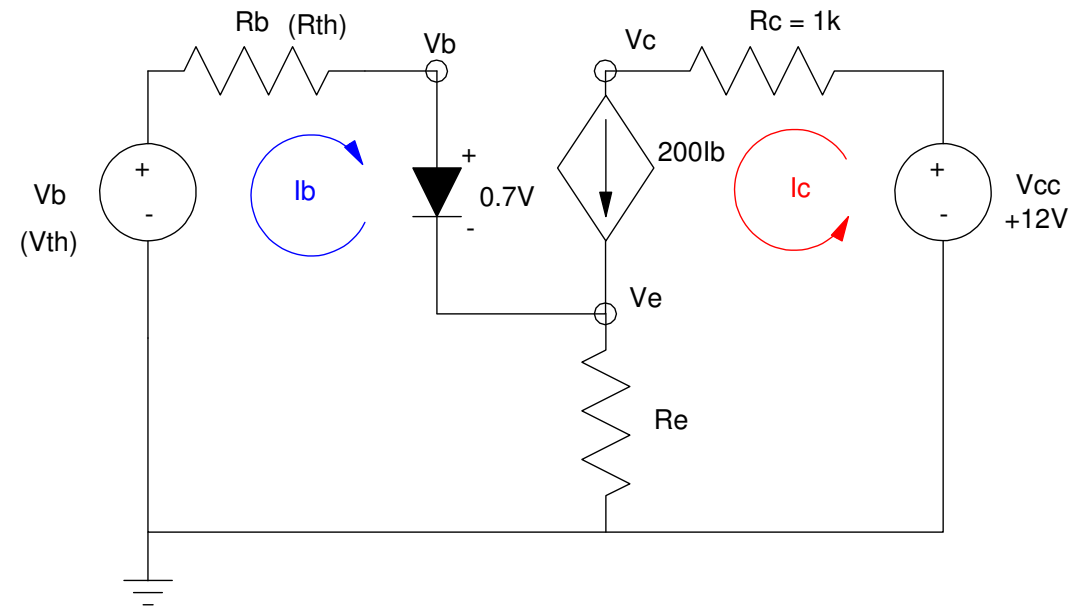
Redraw the circuit

$$V_{bb} = R_{bb}I_b + 0.7 + R_e(I_b + \beta I_b)$$

$$I_b = \left(\frac{V_{bb} - 0.7}{R_{bb} + (1 + \beta)R_e} \right)$$

$$I_c = \beta I_b$$

$$V_{ce} = 12 - R_c I_c - R_e (I_b + I_c)$$

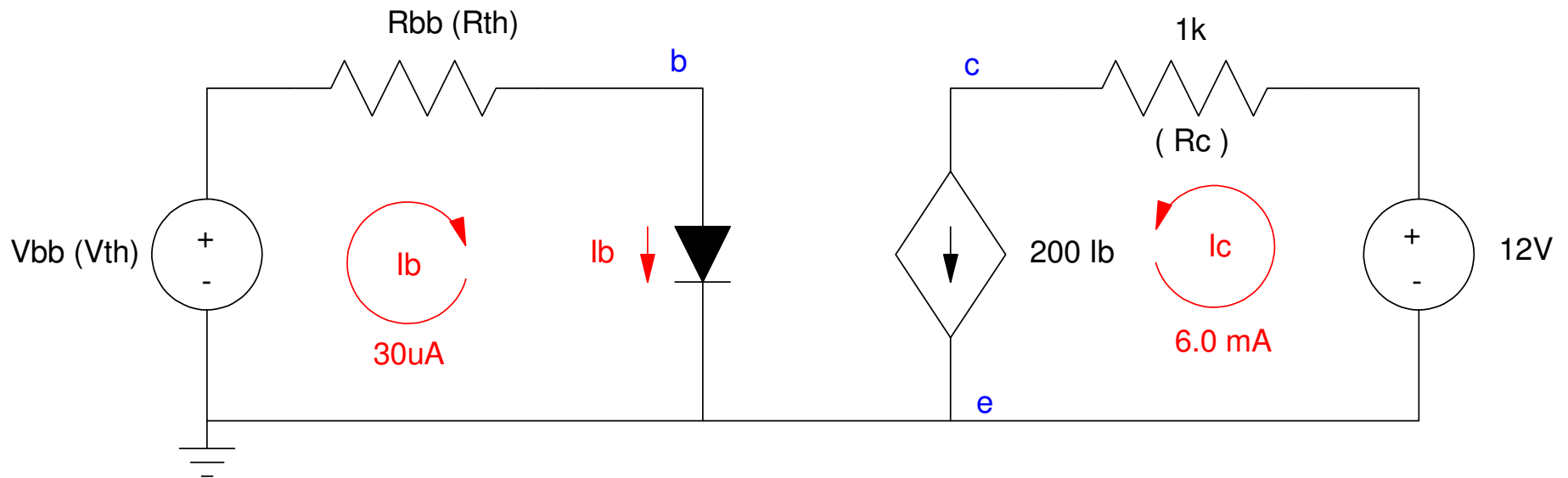


DC Design

Find R_{th} and V_{th} to set the Q-point to 6.00V

$$I_c = \left(\frac{12V - 6V}{1k} \right) = 6mA$$

$$I_b = \left(\frac{I_c}{200} \right) = 30\mu A$$



Let $V_b = +12V$

$$V_b = 12V$$

$$R_b = 377k\Omega$$

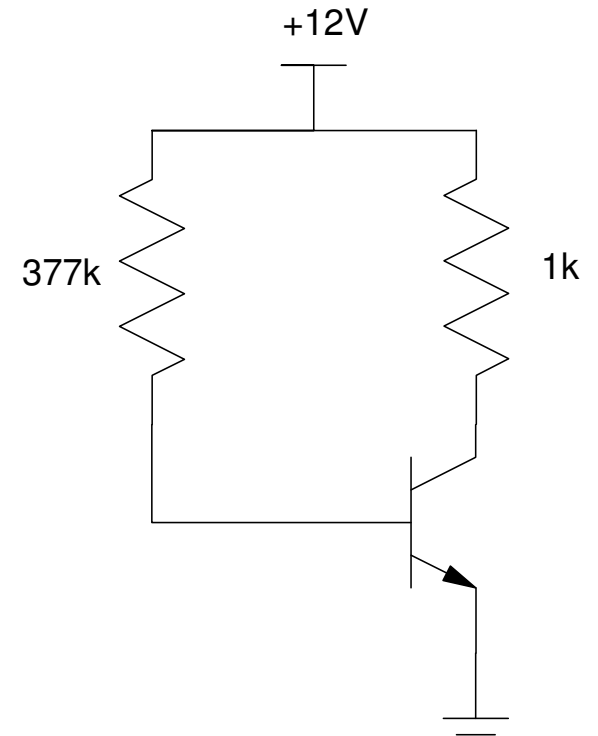
Converting back to R_1 and R_2 :

$$V_b = \left(\frac{R_2}{R_1 + R_2} \right) 12V = 12V$$

$$R_2 = \infty$$

$$R_b = R_1 || R_2 = 377k\Omega$$

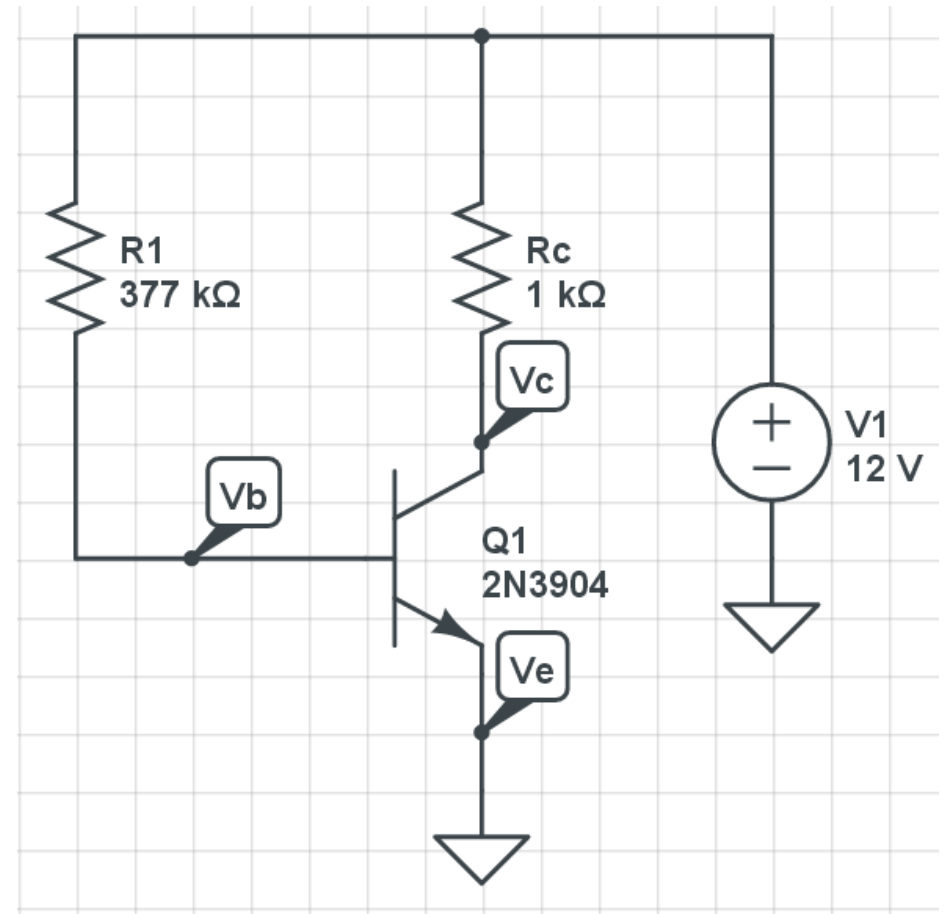
$$R_1 = 377k\Omega$$



CircuitLab Simulation

DC	
V(Vb)	698.1 mV
V(Vc)	7.385 V
V(Ve)	0.000 V
I(Q1.nB)	29.98 μ A
I(Q1.nC)	4.615 mA

- $V_{ce} = 7.385V$ (vs. 6.00V)
- $\beta = I_c / I_b = 153.8$ (vs. 200)



Variations in β :

h_{fe} (β) varies with each transistor

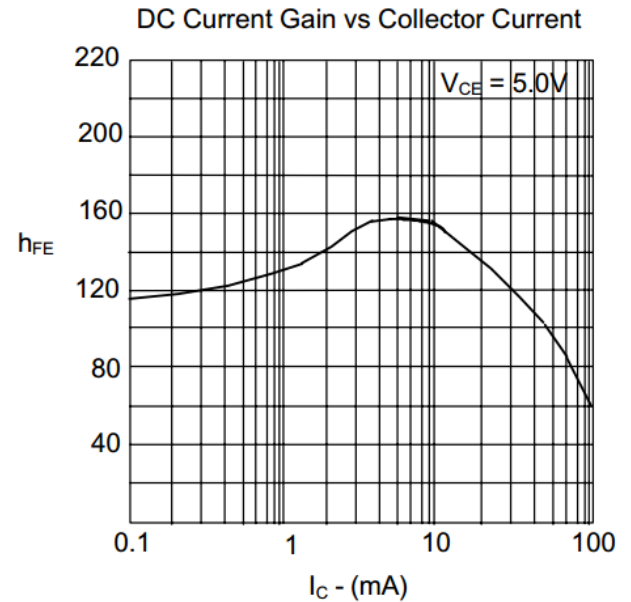
- 2n222: $100 < h_{fe} < 300$
- LM3904: $100 < h_{fe} < 300$
- TIP112: $300 < h_{fe}$

h_{fe} (β) varies with the operating point

- 115 @ $I_c = 0.1\text{mA}$
- 155 @ $I_c = 10\text{mA}$
- 60 @ $I_c = 100\text{mA}$

ON CHARACTERISTICS

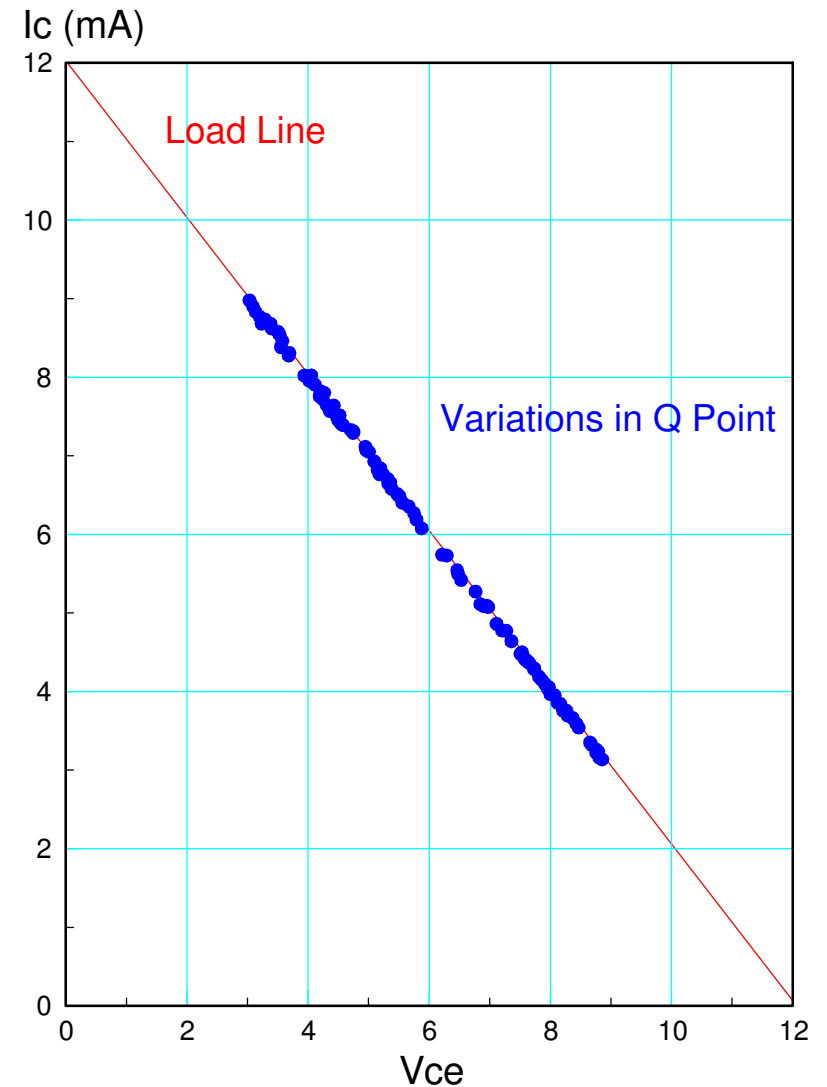
h_{FE}	DC Current Gain* ($I_C=0.1\text{mA}$, $V_{CE}=1.0\text{Vdc}$) ($I_C=1.0\text{mA}$, $V_{CE}=1.0\text{Vdc}$) ($I_C=10\text{mA}$, $V_{CE}=1.0\text{Vdc}$) ($I_C=50\text{mA}$, $V_{CE}=1.0\text{Vdc}$) ($I_C=100\text{mA}$, $V_{CE}=1.0\text{Vdc}$)	40 70 100 60 30	300	
$V_{CE(sat)}$	Collector-Emitter Saturation Voltage ($I_C=10\text{mA}$, $I_B=1.0\text{mA}$) ($I_C=50\text{mA}$, $I_B=5.0\text{mA}$)		0.2 0.4	Vdc
$V_{BE(sat)}$	Base-Emitter Saturation Voltage ($I_C=10\text{mA}$, $I_B=1.0\text{mA}$) ($I_C=50\text{mA}$, $I_B=5.0\text{mA}$)	0.65	0.85 0.95	Vdc



This affects the Q-point

- Monte Carlo simulation

```
V = [];  
I = [];  
for i=1:100  
    Rb = 377000 * (1 + (rand()*2-1)*0.01);  
    Rc = 1000 * (1 + (rand()*2-1)*0.01);  
    Beta = 200 + 100*(rand()*2-1);  
    Ib = (12-0.7)/Rb;  
    Ic = Beta*Ib;  
    Vc = 12-Ic*Rc;  
    V = [V ; Vc];  
    I = [I ; Ic];  
end  
plot(V, I, '.');
```



To compensate for variations in β , add R_e .

$$I_c = \beta I_b$$

$$-V_b + R_b I_b + 0.7 + R_e (I_b + I_c) = 0$$

$$I_b = \left(\frac{V_b - 0.7}{R_b + (1 + \beta) R_e} \right)$$

To stabilize the voltage at V_c :

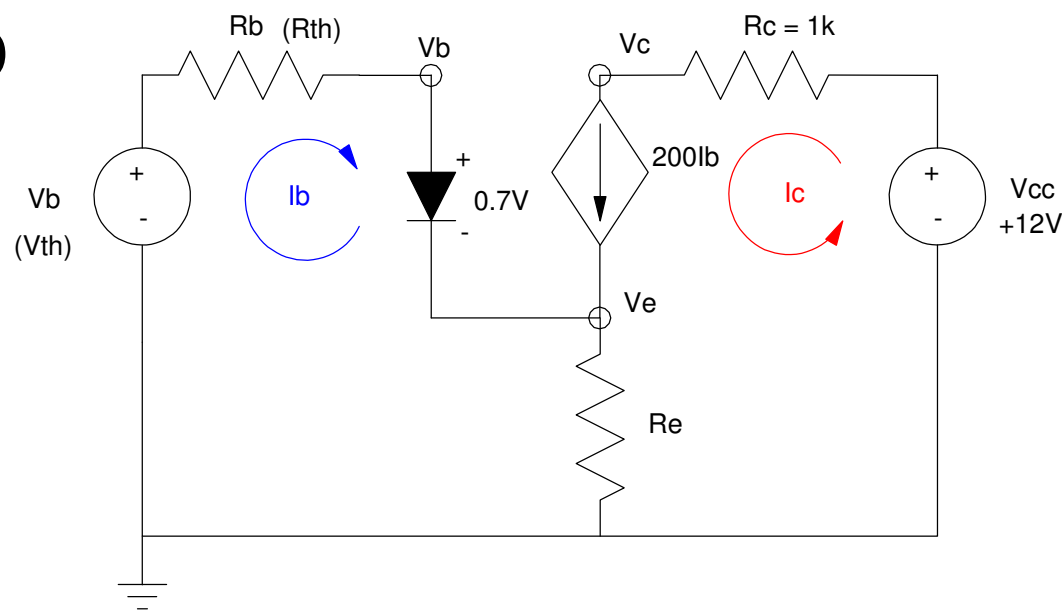
$$V_c = V_{cc} - R_c I_c$$

$$V_c = V_{cc} - \left(\frac{\beta R_c}{R_b + (1 + \beta) R_e} \right) (V_b - 0.7)$$

If

$$(1 + \beta) R_e \gg R_b$$

$$V_c \approx V_{cc} - \left(\frac{\beta R_c}{(1 + \beta) R_e} \right) (V_b - 0.7)$$



To stabilize the Q point, pick R_e such that

$$(1 + \beta)R_e \gg R_b$$

Design (take 2)

- $V_{ce} = 6V$
- Stabilize Q-point for variations in β

Pick $R_e > 0$

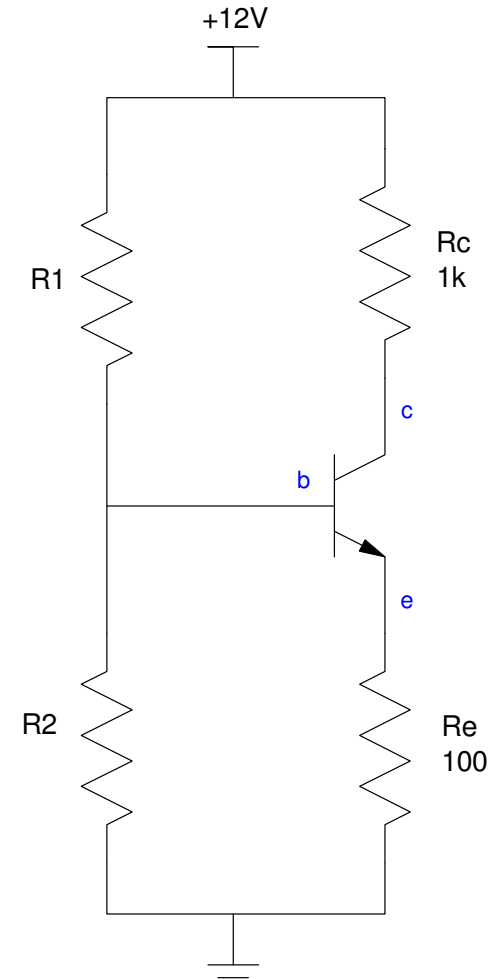
$$R_e = 100\Omega$$

To stabilize the Q point

$$(1 + \beta)R_e \gg R_b$$

$$20, 100\Omega \gg R_b$$

$$R_b = 2k\Omega$$



From before,

$$I_c = 6mA$$

$$I_b = 30\mu A$$

so

$$I_b = \left(\frac{V_b - 0.7}{R_b + (1 + \beta)R_e} \right) = 30\mu A$$

$$V_b = 1.363V$$

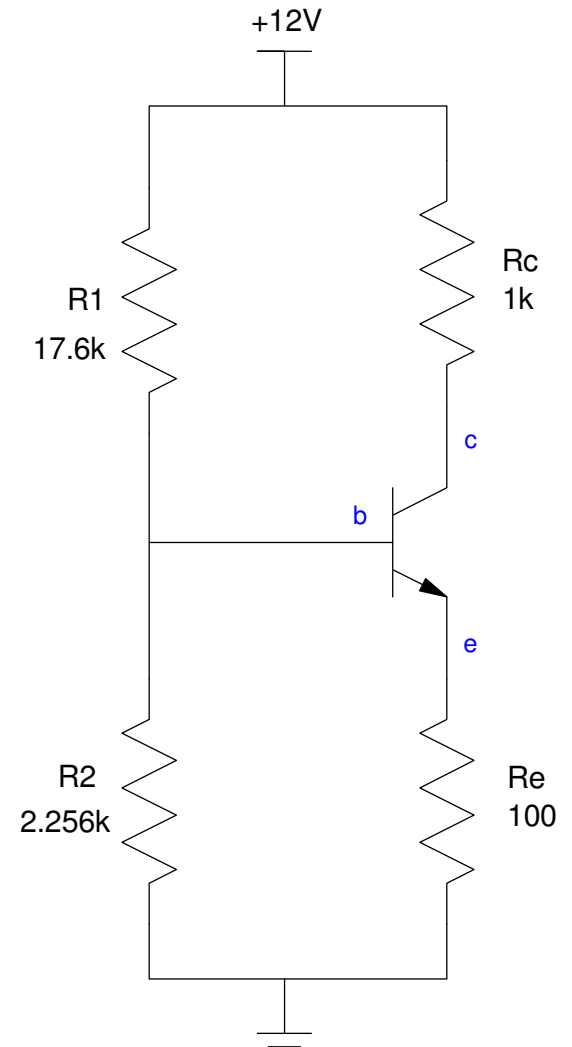
This corresponds to R1 and R2 being:

$$\left(\frac{R_1 R_2}{R_1 + R_2} \right) = 2000$$

$$\left(\frac{R_2}{R_1 + R_2} \right) 12V = 1.363V$$

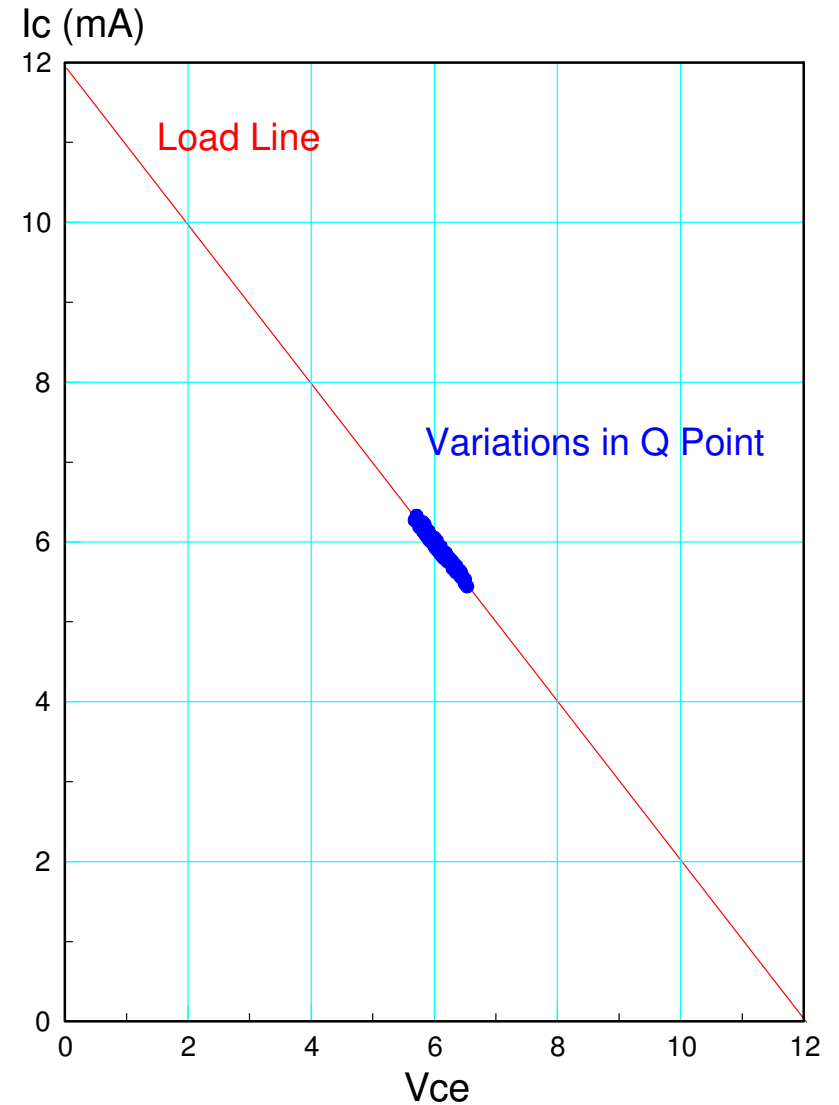
$$R_1 = 17.6k\Omega$$

$$R_2 = 2256\Omega$$



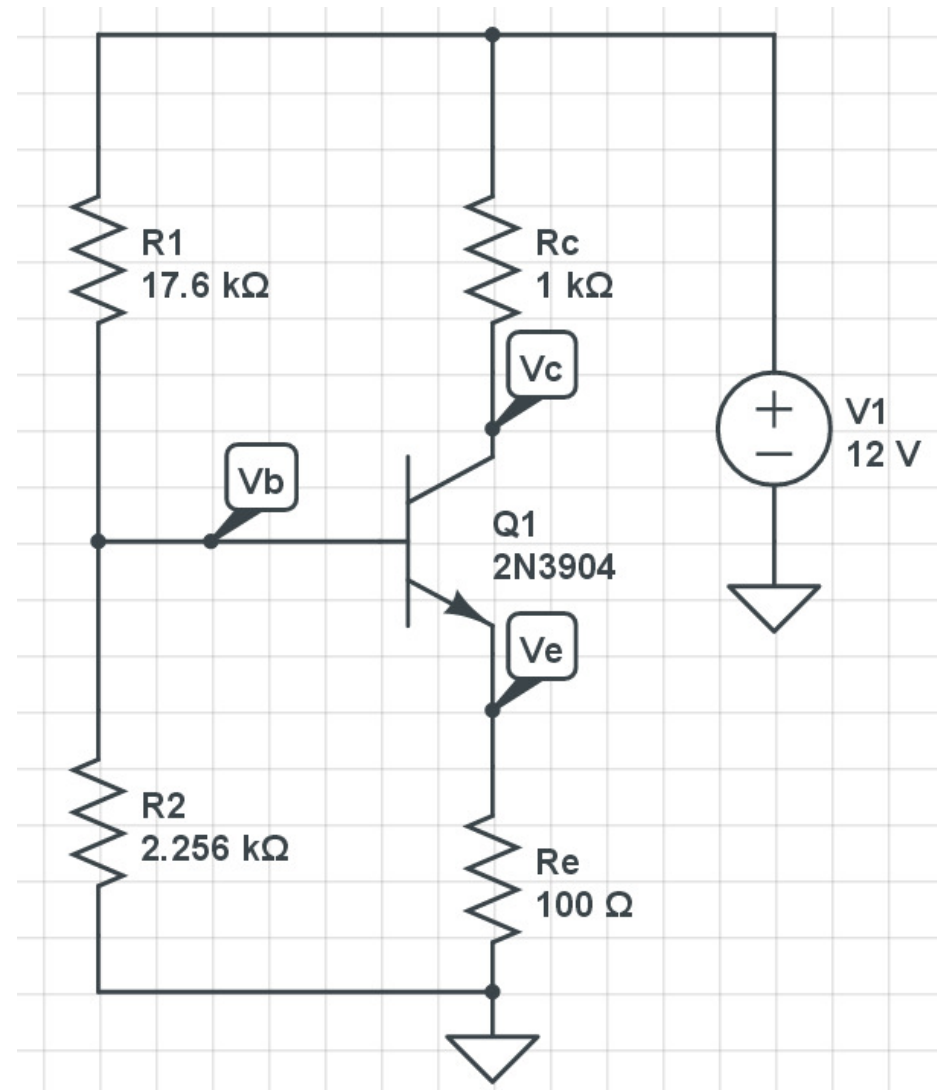
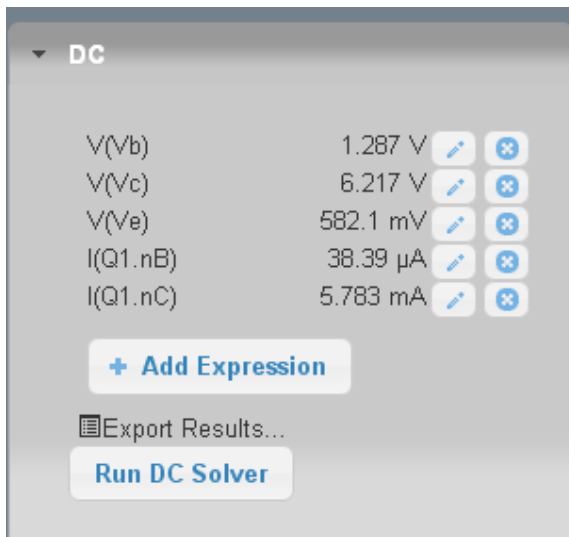
Monte-Carlo Simulation

```
V = [];  
I = [];  
for i=1:100  
    R1 = 17600 * (1 + (rand()*2-1)*0.01);  
    R2 = 2256 * (1 + (rand()*2-1)*0.01);  
    Rc = 1000 * (1 + (rand()*2-1)*0.01);  
    Re = 100 * (1 + (rand()*2-1)*0.01);  
    Beta = 200 + 100*(rand()*2-1);  
    Vb = 12*(R2 / (R1+R2));  
    Rb = 1/(1/R1 + 1/R2);  
    Ib = (Vb-0.7) / (Rb + (1+Beta)*Re);  
    Ic = Beta*Ib;  
    Vc = 12 - Rc*Ic;  
    V = [V ; Vc];  
    I = [I ; Ic];  
end  
plot(V,I*1000, '.');
```



CircuitLab Simulation

- $V_{ce} = 5.635V$ (vs. $6.00V$)
- $I_b = 38.39 \mu A$ (vs. $30.0\mu A$)
- $I_c = 5.783mA$ (vs. $6.00mA$)
- $\beta = \frac{I_c}{I_b} = 150.6$ (vs. 200)
- R_e helped stabilize the Q-point in spite of the difference in β



Summary:

- In order to use a transistor as a Class-A amplifier, you need to bias it in the active region.
- R_e serves to stabilize the Q-point for variations in β
- R_1 and R_2 serve to set the Q-point
- The capacitors isolate the circuit at DC

The following lectures will look at AC analysis of this circuit

