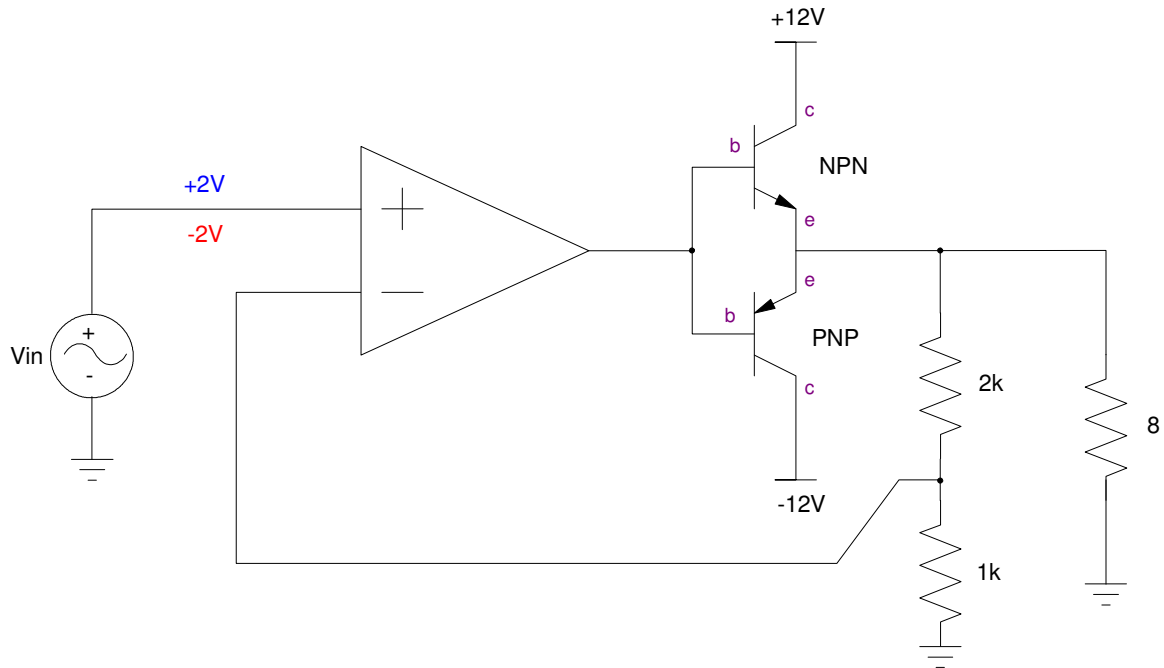


ECE 321: Handout #3

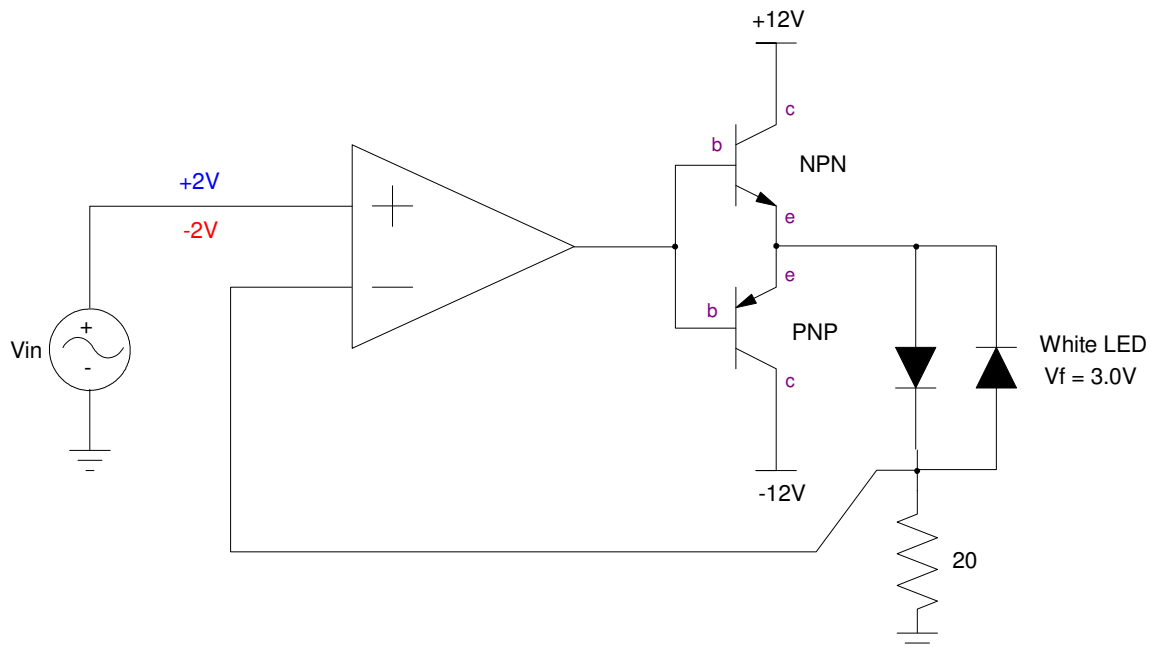
Push-Pull Amplifiers

Assume TIP transistors: $|V_{be}| = 1.4V$, $\beta = 1000$

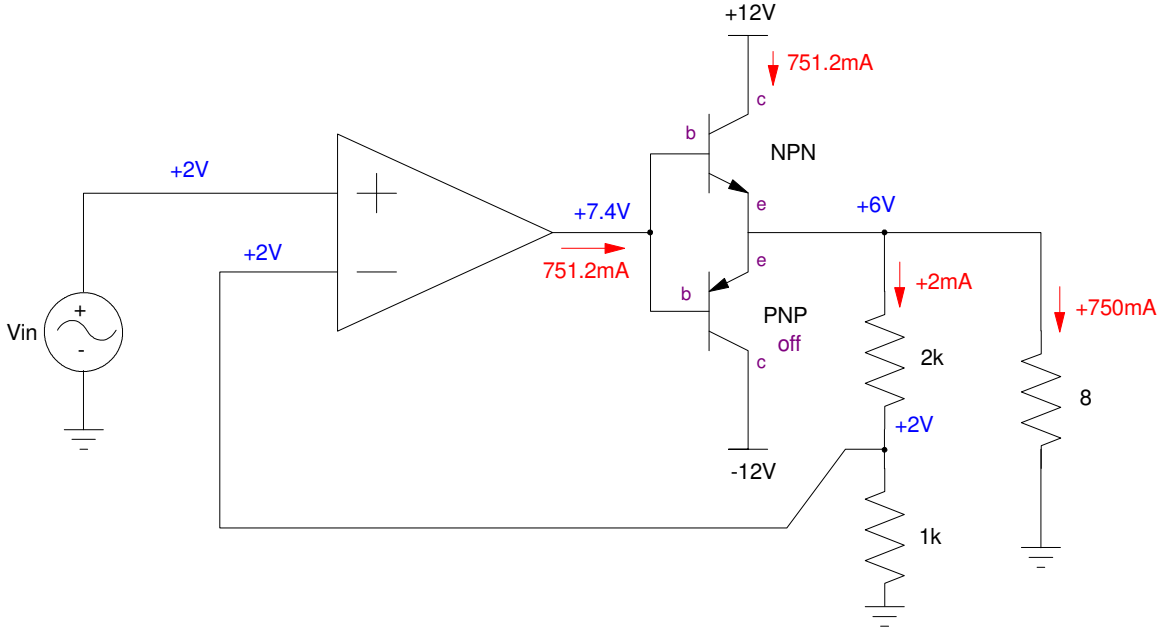
Voltage Amplifier: Find the voltages and currents for $V_{in} = \{ +2V, -2V \}$



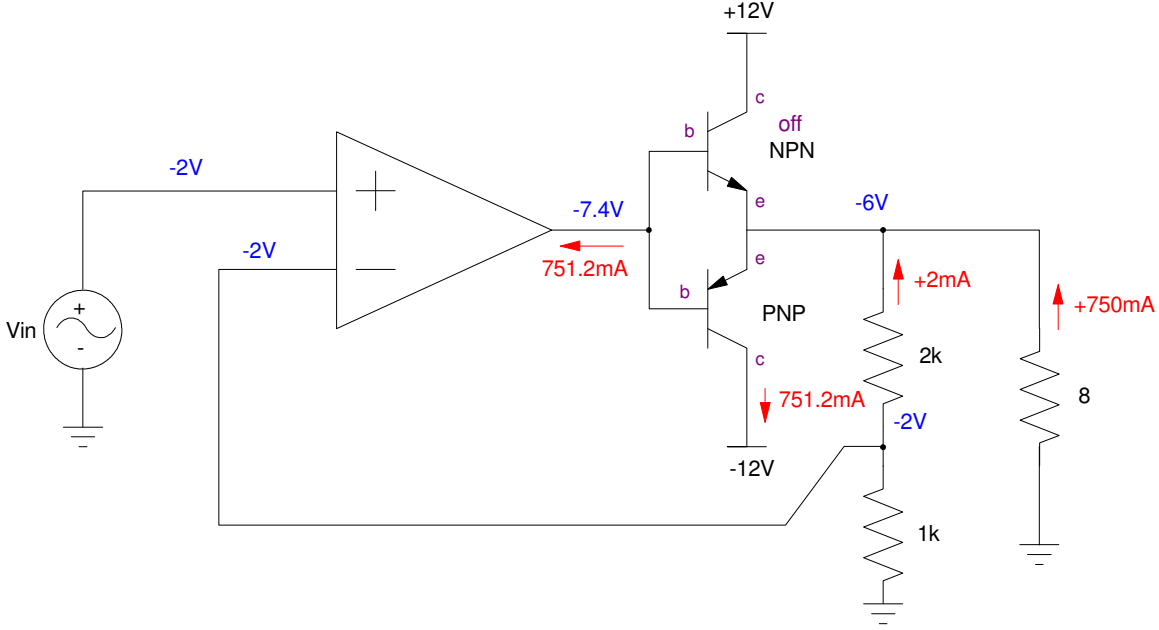
Current Amplifier: Find the voltages and currents for $V_{in} = \{ +2V, -2V \}$



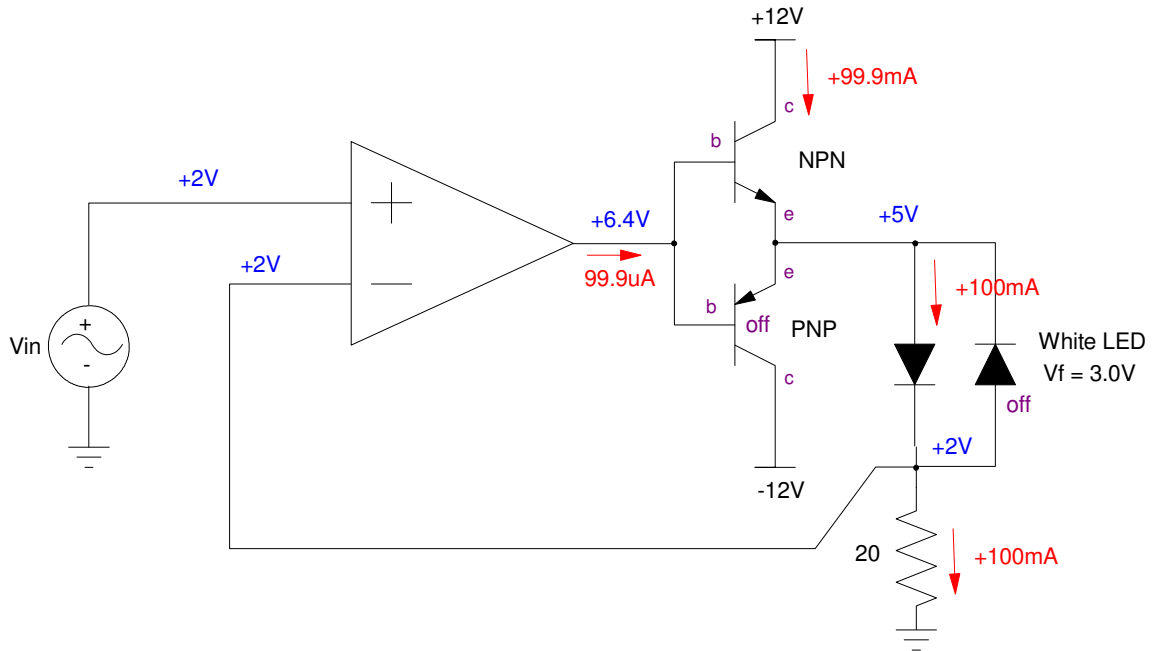
Voltage Amplifier: $V_{in} = +2V$ (push)



Voltage Amplifier: $V_{in} = -2V$ (pull)



Current Amplifier: $V_{in} = +2V$



Current Amplifier: $V_{in} = -2V$

