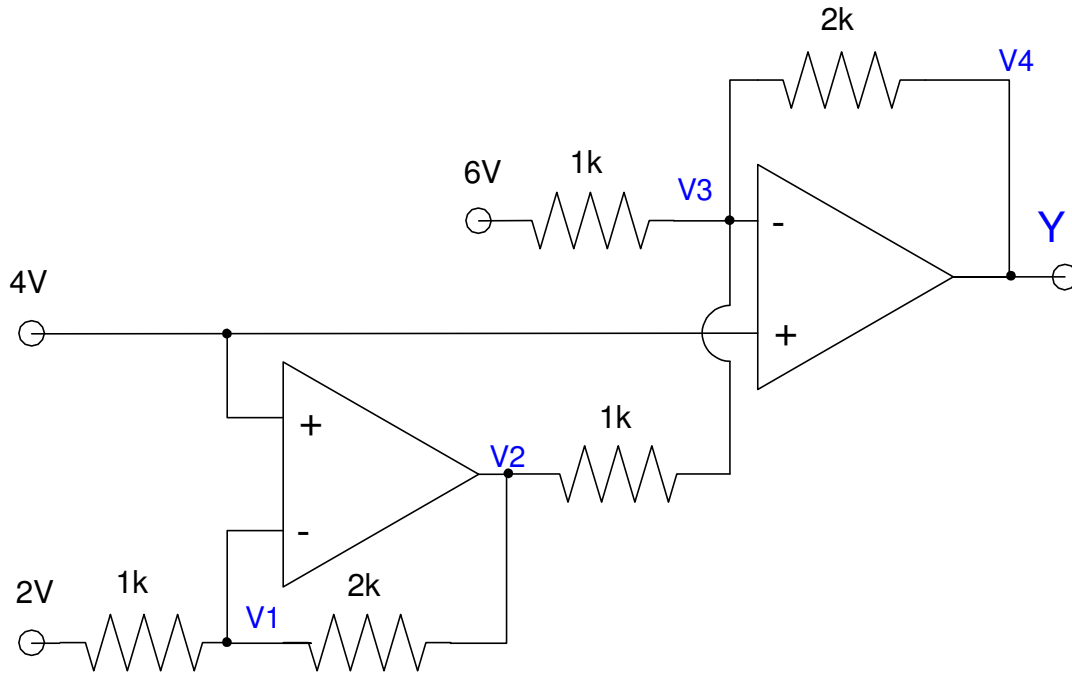


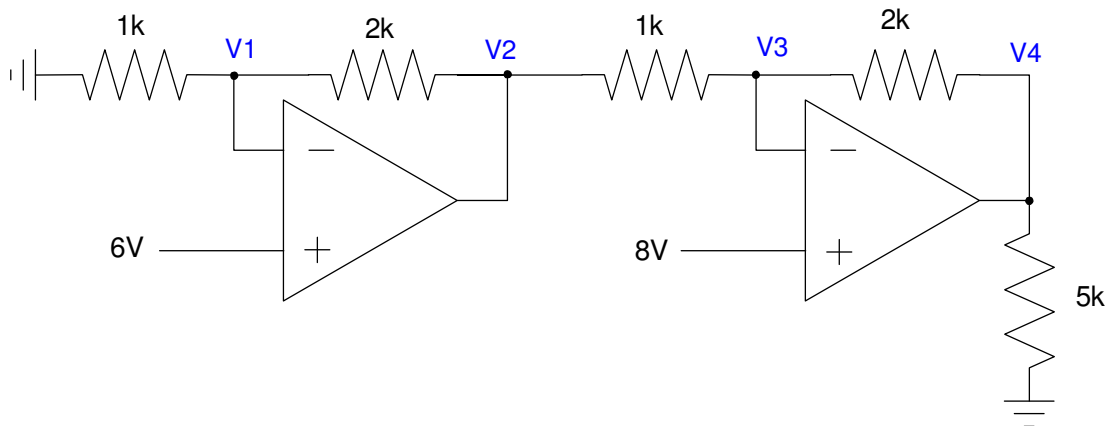
ECE 321: Handout #1

Op-Amps and Analog Circuits

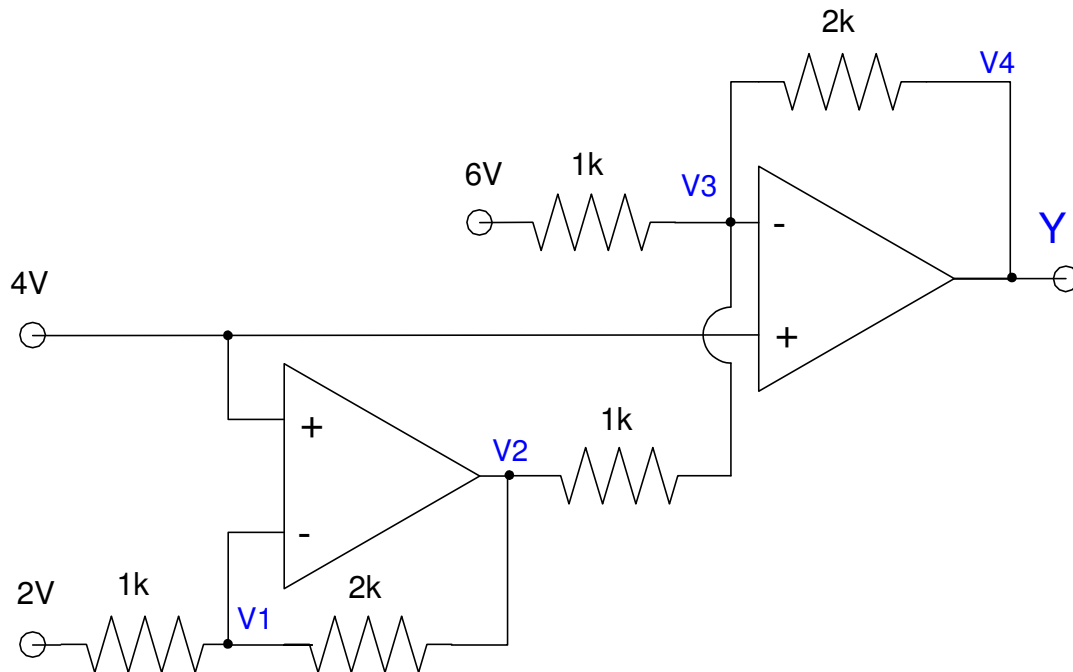
- 1) Write the voltage node equations. Assume ideal op-amps.
- 2) Determine the voltages and currents. Assume ideal op-amps.



- 3) Write the voltage node equations. Assume ideal op-amps.
- 4) Determine the voltages and currents. Assume ideal op-amps.



Problem #1: Write the Voltage Node Equations



Start with the easy ones: $V_p = V_m$

$$V_1 = 4$$

$$V_3 = 4$$

Write the node equation at V1

$$\left(\frac{V_1 - 2}{1k}\right) + \left(\frac{V_1 - V_2}{2k}\right) = 0$$

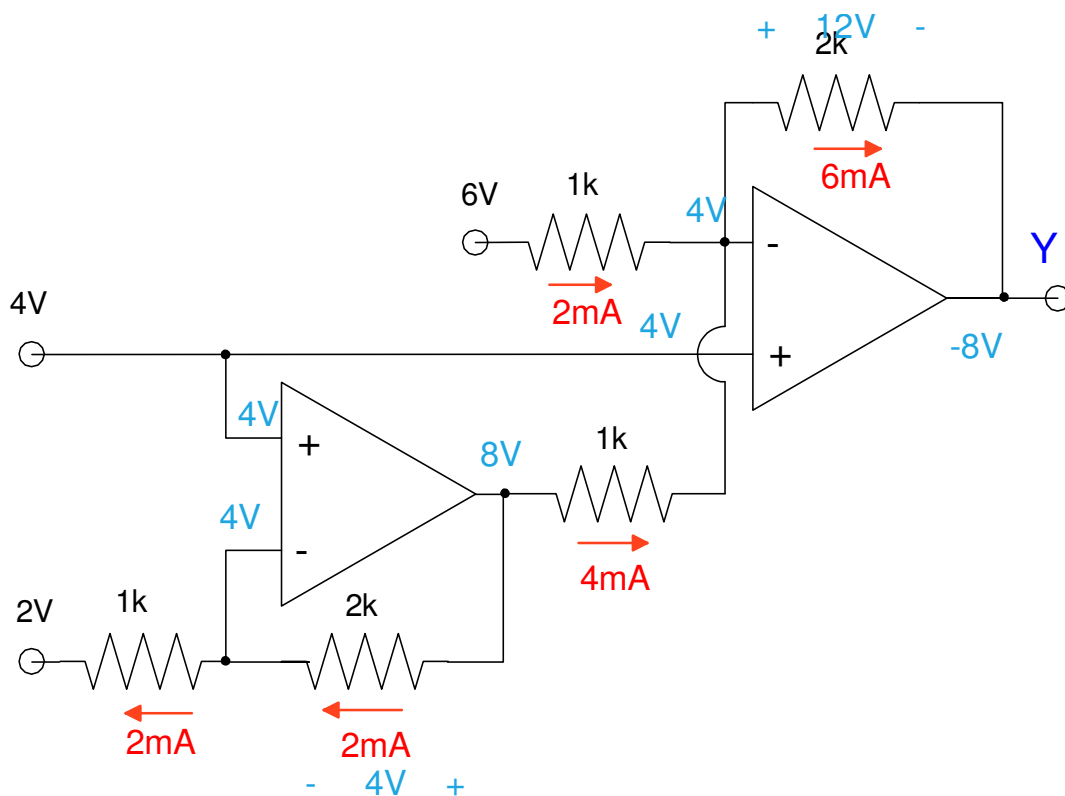
Write the node equation at V3

$$\left(\frac{V_3 - 6}{1k}\right) + \left(\frac{V_3 - V_2}{1k}\right) + \left(\frac{V_3 - V_4}{2k}\right) = 0$$

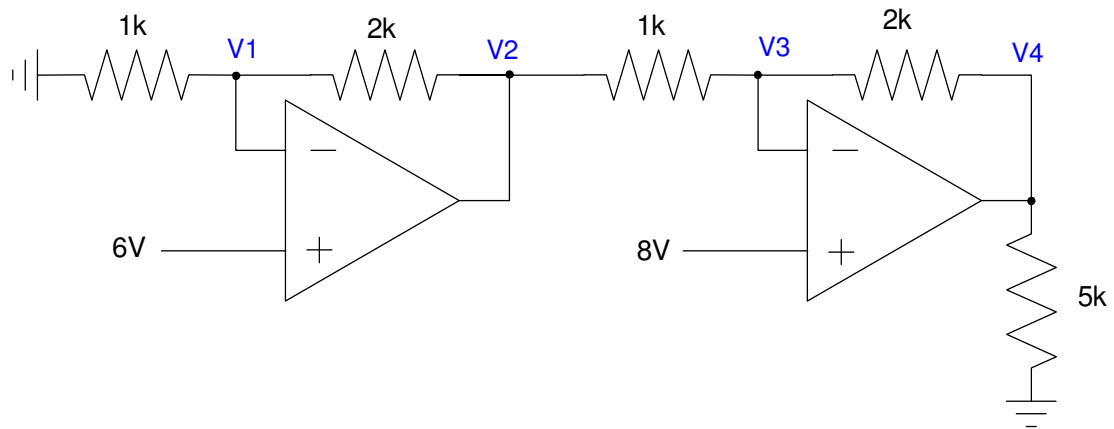
2) Determine the voltages and currents. Assume ideal op-amps.

For an op-amp with negative feedback, $V_p = V_m$

At each node, current in = current out



Problem 3) Write the voltage node equations



Start with the easy ones ($V_p = V_m$)

$$V_1 = 6$$

$$V_3 = 8$$

Write the node equation at V1

$$\left(\frac{V_1}{1k}\right) + \left(\frac{V_1 - V_2}{2k}\right) = 0$$

Write the node equation at V3

$$\left(\frac{V_3 - V_2}{1k}\right) + \left(\frac{V_3 - V_4}{2k}\right) = 0$$

Problem #4: Determine the voltages and currents

$V_p = V_m$

Current in = Current Out

